

GHG-RNM Detachable Torque Hinge

Features

- Window attachment and detachment without tools, easy to maintain
- Lock mechanism prevents the window from falling off
- Passed 20,000 life cycle test

Notes

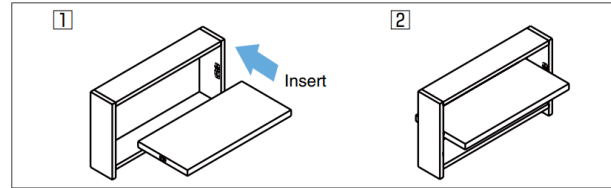
- Sold in set (hinge and strike, 2 pcs each)
- Ensure both hinge shafts are levelled and aligned during installation
- Force for operating window varies depending on use environment (air temperature, wind)
- Do not use with window enduring strong wind pressure
- Use mohair separately if air tightness is required

Parts Included (only for GHG-RNM30-SET)

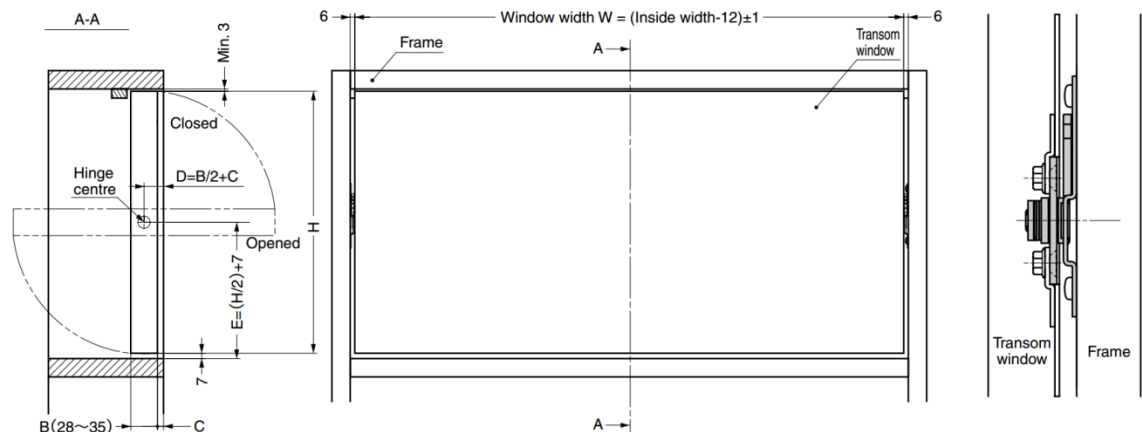
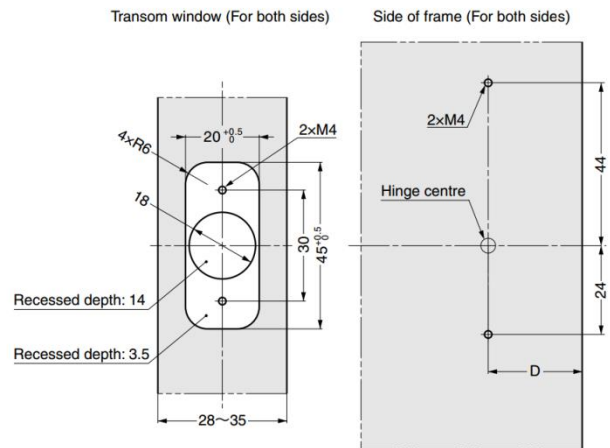
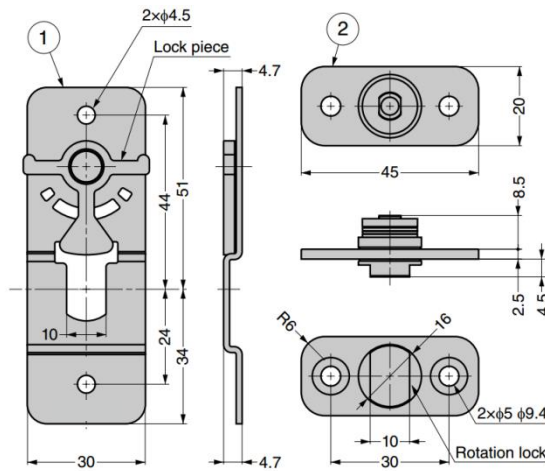
- Pan head tapping screw 4×20 (strike side)
- Countersunk head tapping screw 4×20 (hinge side)

Recommended Screws

- Pan head screw M4 (strike side)
- Countersunk head screw M4 (hinge side)



No.	Part Name	Material	Finish
①	Strike	Stainless Steel, POM	-
②	Hinge	Stainless Steel, etc.	-



Part No.	Screw	Torque (per set)	
GHG-RNM30	Without	3 ±20% N.m	30.6 ±20% kgf.cm
GHG-RNM30-SET	With		